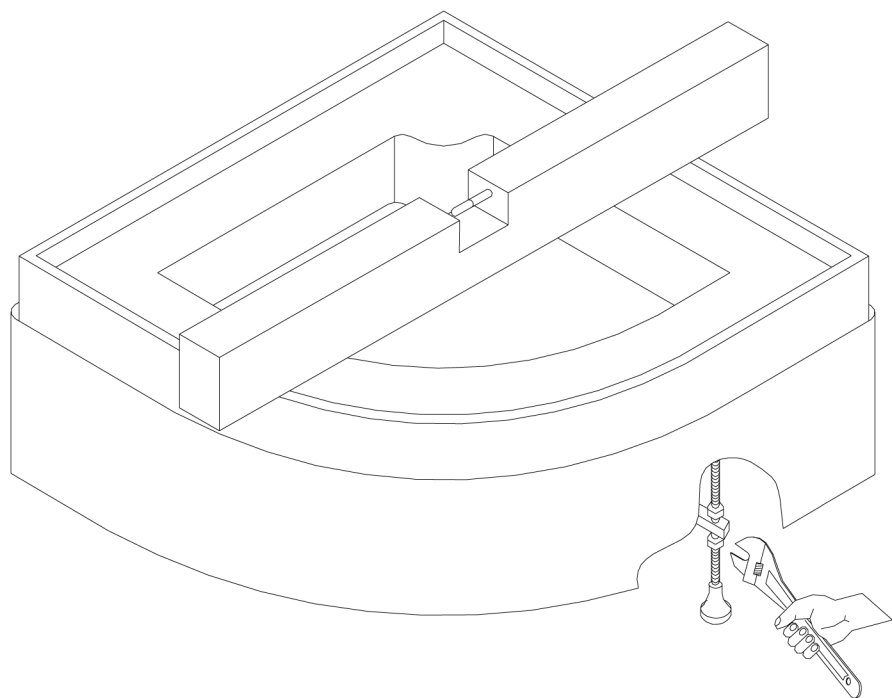


## Shower Room Installation

9918 SIZE: 36" x 36" x 84 1/2"

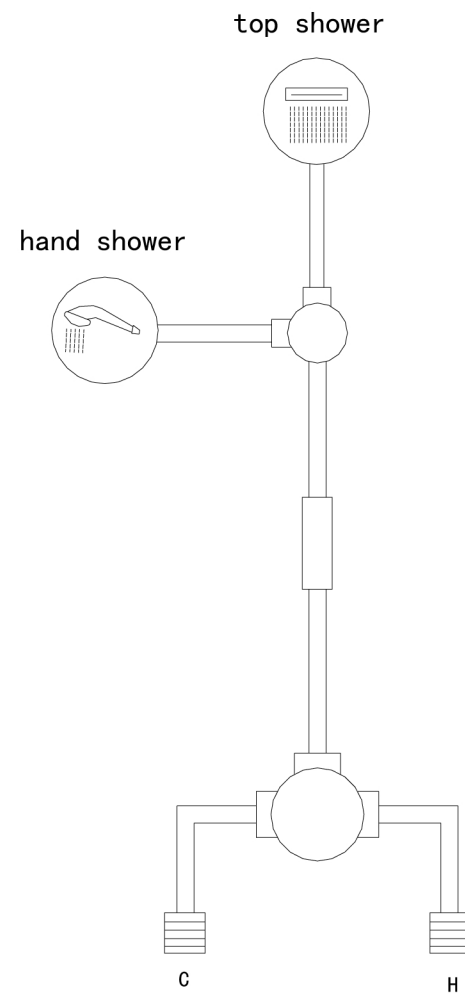


Position tub in desired location, level the tub by tightening or loosening the screws found on the feet



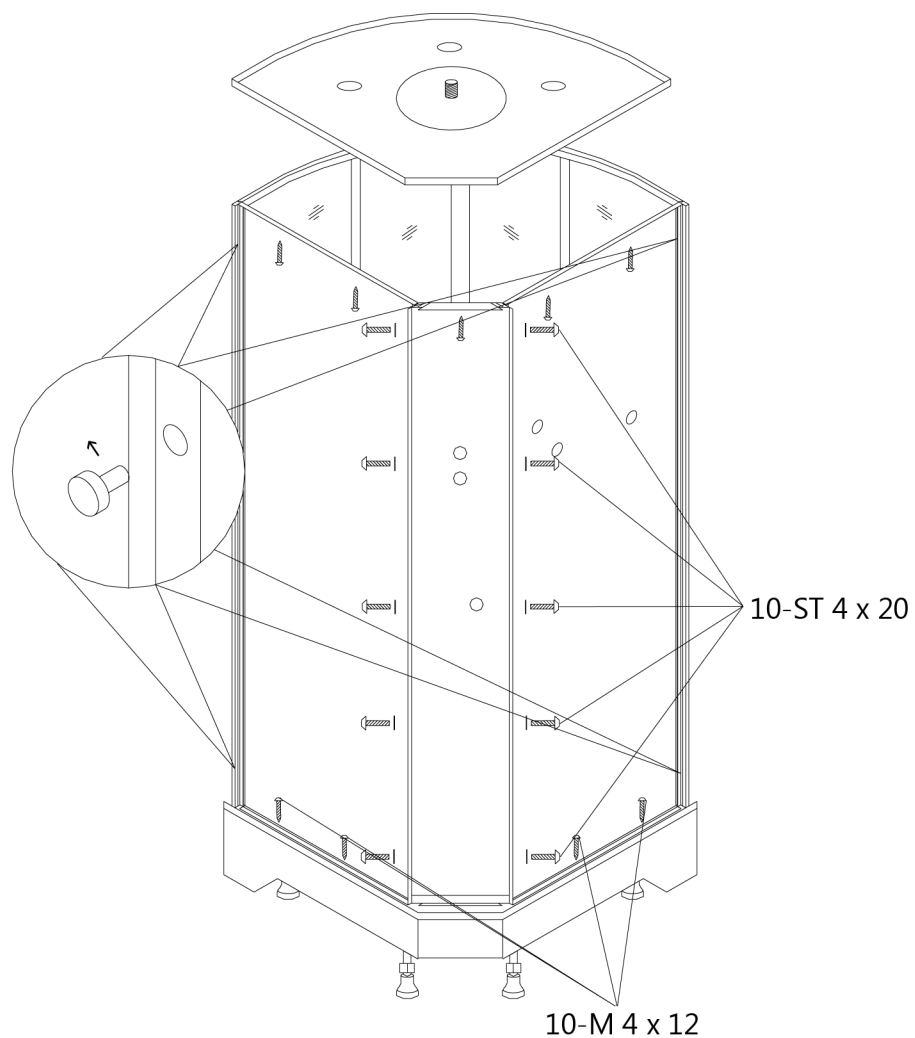
1

Connect the long hose end to top of shower and short end of hose to the shower handle.

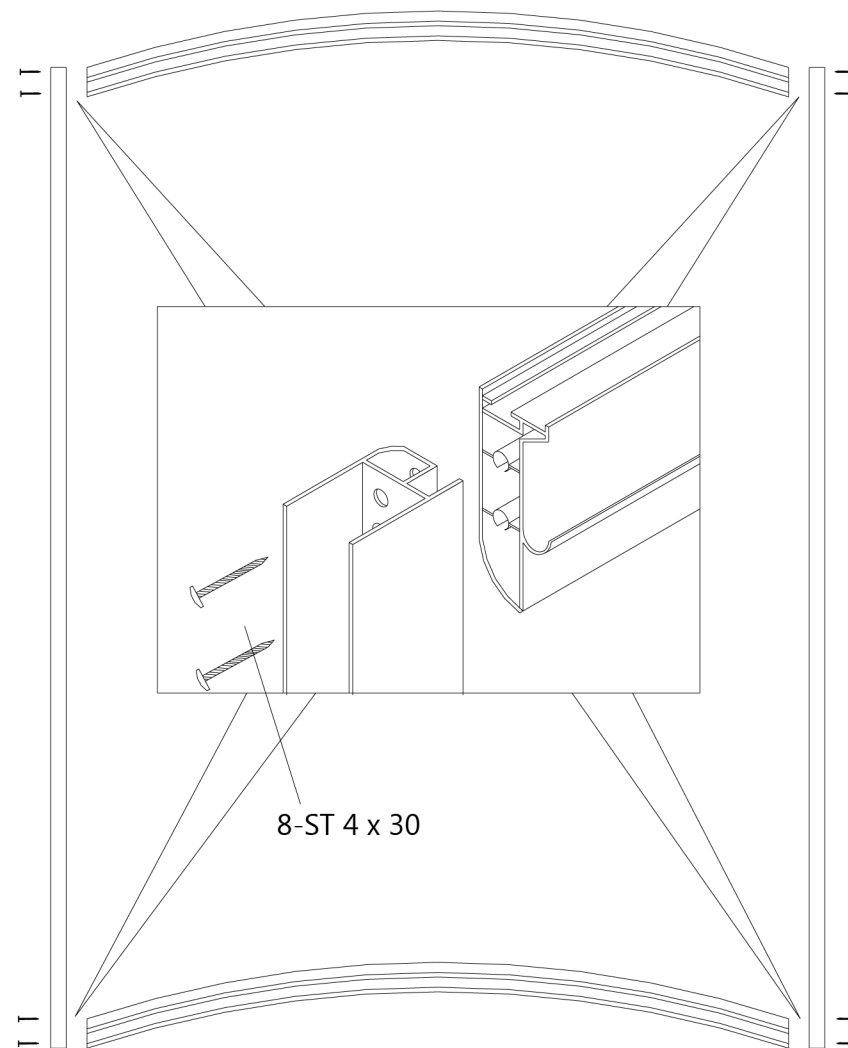


10

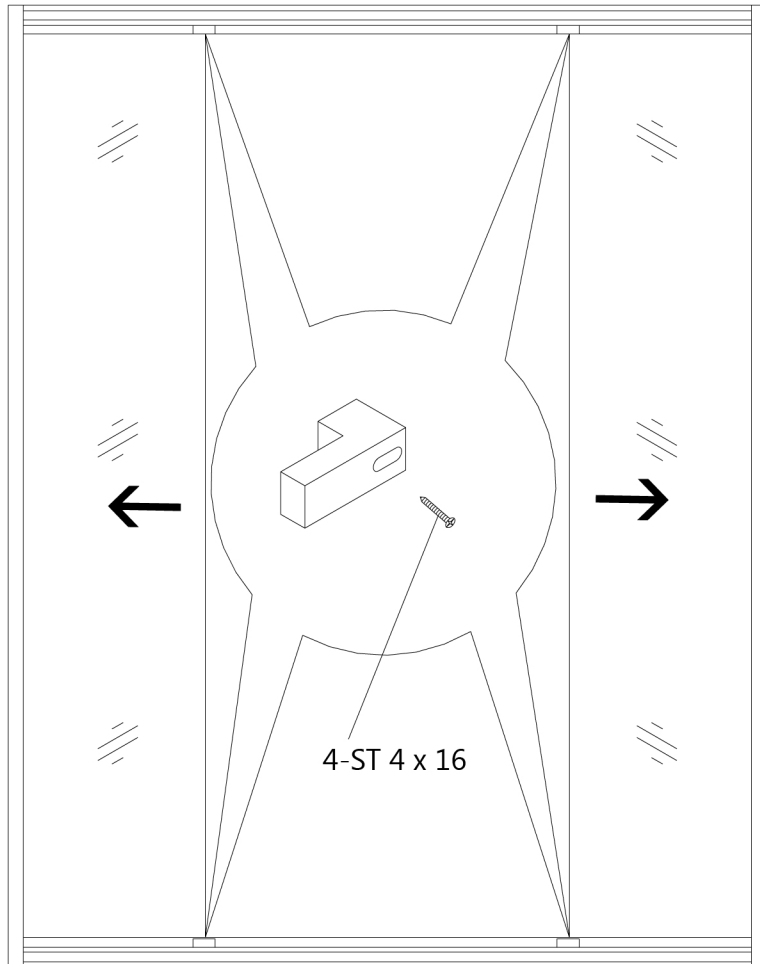
Fix the central aluminium backboard with screws 4 x 20 mm. Fix cover with screws 4 x 12 mm; then fit the fixed glass to the base with screws 4 x 12 mm



Connect the profile frame to bend rail with screws 4 x 30 mm

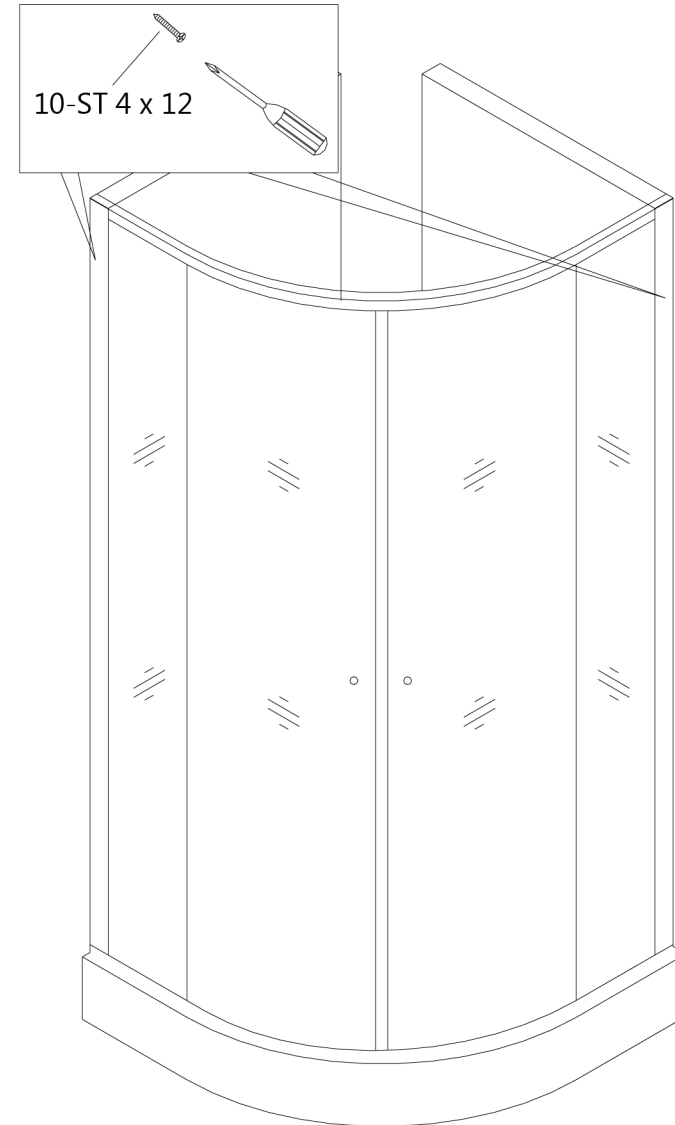


Insert the fixed glass door into the profile frame using the glass holder to fit the fixed glass door with screws 4 x 16 mm



3

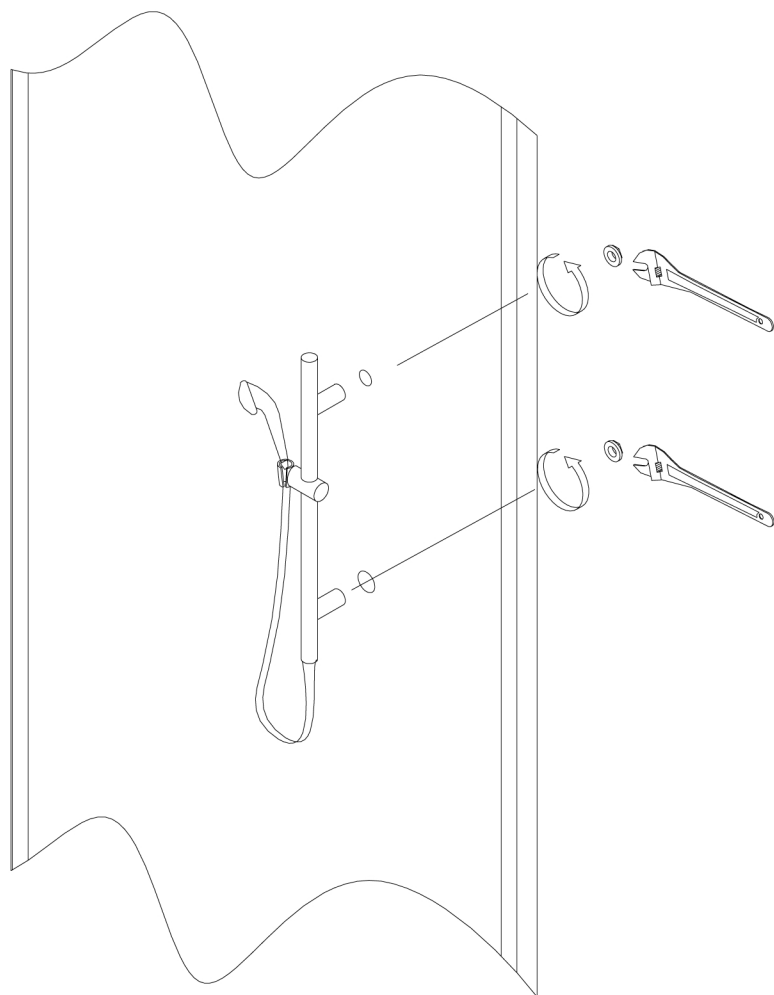
Position the installed glass room onto the base, then fasten the backboard glass and glass room with screws 4 x 12 mm



8

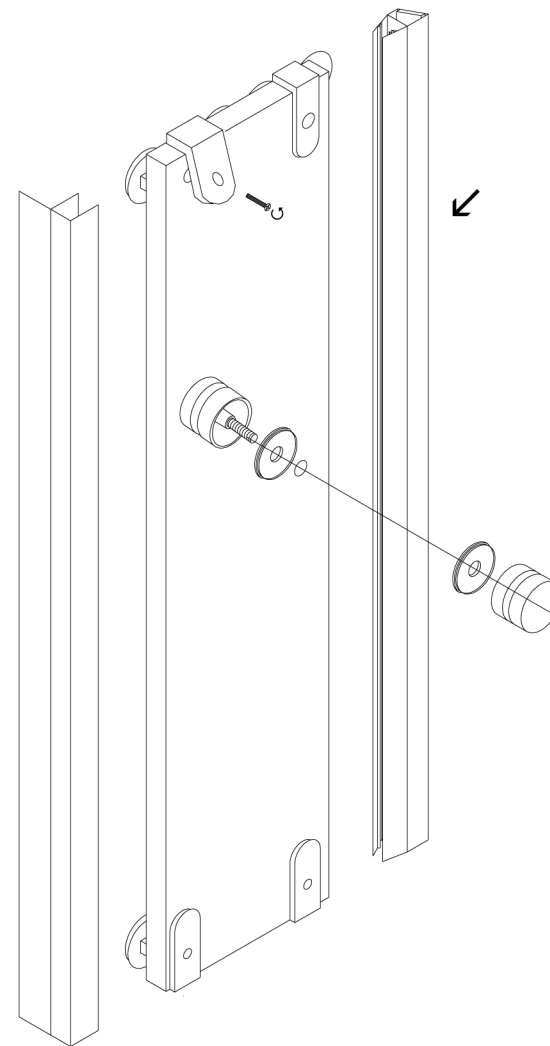


Install the handle shower bar to the right  
backboard glass wall



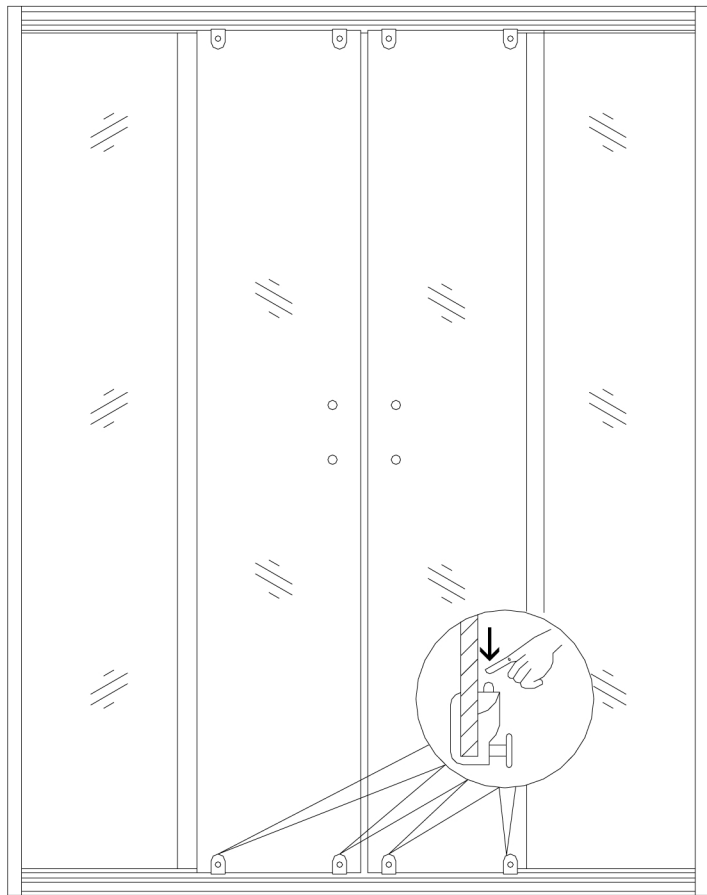
7

Install the rollers, door stopper and water  
proof plastic seal on moveable glass door



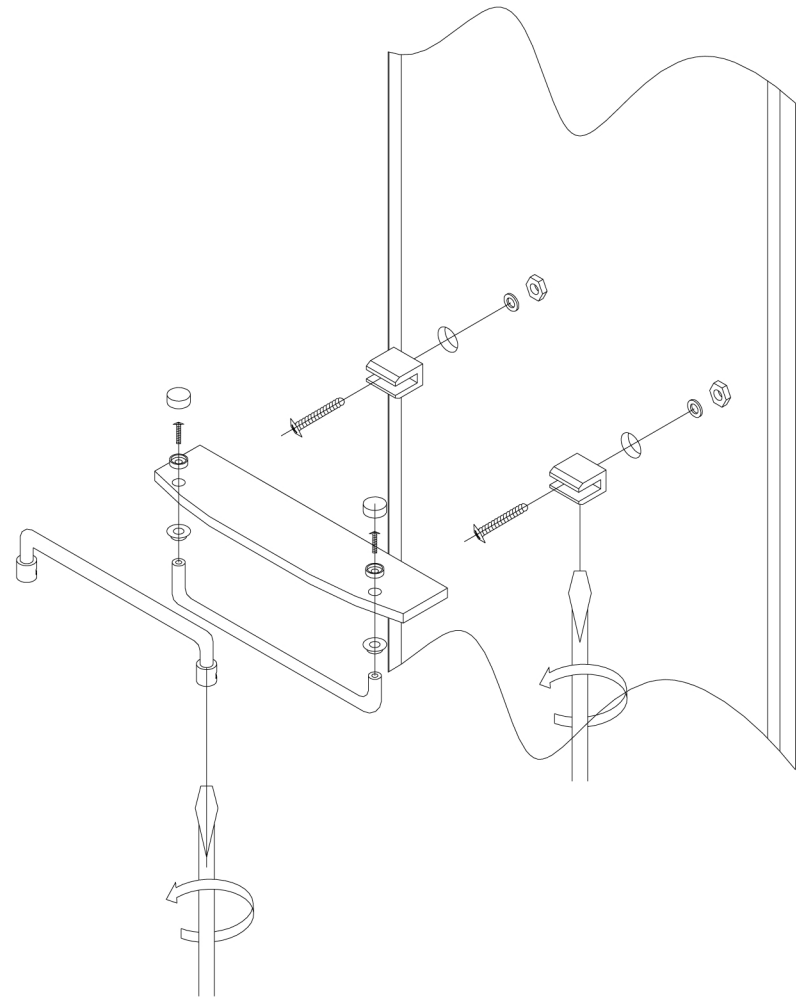
4

Insert the moveable glass door into the bend rail; once through, adjust roller. First adjust the upper roller and then adjust the lower roller



5

Install the glass shelf to left backboard glass wall



6